



# Insulated Structures

*Efficiency At Work*

## SQUARE GLASS - GOURMET



Standard Specifications
• Flat Bottom pan
• Linear Front Bar
• Rear Sliders
• Powder Coated Cladding
• Valves (Brass Thermostatic)
• 2 x Probes (Air Off and Defrost)
• Standard Coil

Optional Specifications
• 20mm Glass Patch Ends
• Solid Colour Coded Patch Ends
• 1 x 200mm Glass Shelf with LED Lights
• ECM Fans
• Electronic Valves
• Cladding Options: Refer to Cladding Details Document. (Available on Request)
• Self-Contained Units (Available up to 8ft) without any dimensional changes.

*Leaders in world class innovation for bespoke end to end energy efficient refrigeration solutions*



**Insulated Structures**  
*Efficiency At Work*

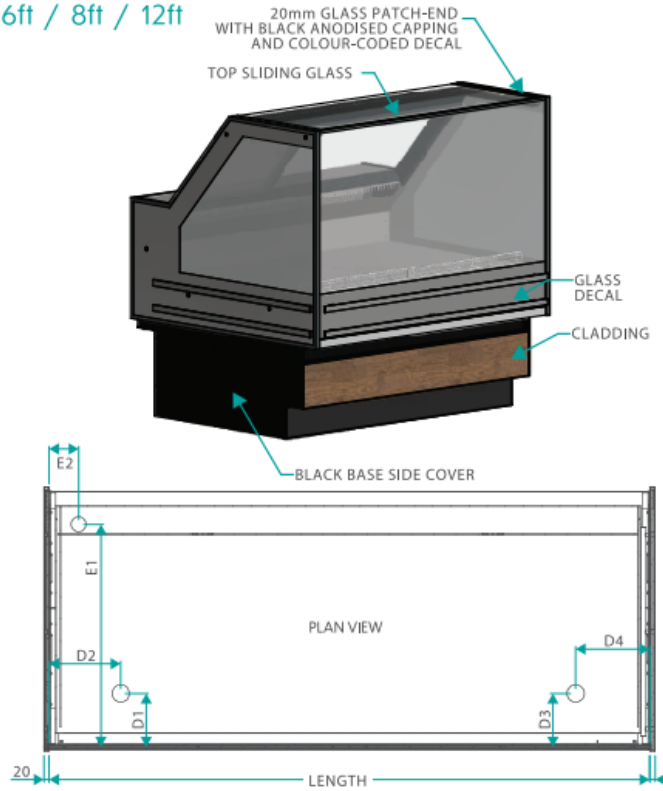
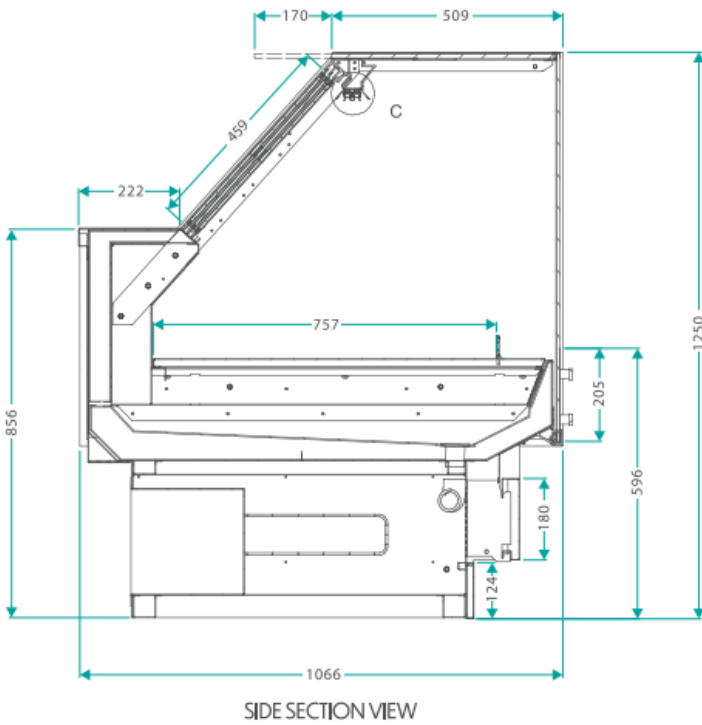


# Insulated Structures

Efficiency At Work

## SQUARE GLASS - GOURMET

Available in: 4ft / 6ft / 8ft / 12ft



Physical Properties		
Size	Length (m)	TDA (m <sup>2</sup> )
4ft	1.218	1.13
6ft	1.828	1.72
8ft	2.440	2.30
12ft	3.660	3.47

Drain and Refrigeration Points							
D1	D2	D3	D4	E1	E2	R1	R2
230mm	609mm	-	-	800mm	110mm	400mm	110mm
230mm	914mm	-	-	800mm	110mm	400mm	110mm
230mm	609mm	230mm	609mm	800mm	110mm	400mm	110mm
230mm	600mm	230mm	609mm	800mm	110mm	400mm	110mm

Refrigeration Requirements	
Refrigeration	Evaporation Temp
110W/ft	-6°C

Electrical Specifications		
Evaporator Fans	Heaters	Lighting Case
<b>Fan Motor + Motor</b>	<b>Defrost</b>	<b>Meat (LED)</b>
1xØ154-28°/36W (SPM) or 24W (ECM)	1x800W	2x21W
1xØ154-28°/36W (SPM) or 24W (ECM)	1x1300W	2x31W
1xØ154-28°/36W (SPM) or 24W (ECM)	1x1600W	4x21W
2xØ154-28°/36W (SPM) or 24W (ECM)	1x2400W	6x21W

Leaders in world class innovation for bespoke end to end energy efficient refrigeration solutions

